

Product Information

Flow Switch FF-...GR



- Adjusted switching value
- Highly reproducible
- Insensitive to dirt

Characteristics

The volume flow raises a piston (fitted with a magnet) out from a valve seat against a spring force. The piston actuates a hermetically separated reed switch.

Technical data

Switch	reed switch	
Nominal width	DN 8..40 (DN 50..80 available on request)	
Process connection	female thread G 1/4 ..G 1 1/4	
Adjustment range	0.4..90 l/min	for details see table "Ranges"
Q_{max.}	to 150 l/min	
Tolerance	±3 % of the switching value, minimum ±0.3 l/min	
Pressure resistance	G 1/4..G 1/2 - PN 200 bar G 3/4..G 1 - PN 25 bar G 1 1/4..G 1 1/2 - PN 16 bar	
Medium temperature	DN 8..15 -20..+110 °C ≥DN 20 -20..+ 90 °C	
Ambient temperature	-20..+70 °C	
Media	water (oils available on request)	
Wiring	normally open (n.o.) no. 0.212 optionally, normally closed no. 0.214 (not all adjustment ranges are possible, please enquire) 	
Switching voltage	max. 230 V AC	
Switching current	max. 1 A	
Switching capacity	max. 50 VA	
Protection class	1 - PE connection	
Ingress protection	IP 65	
Electrical connection	cable 1.8 m	

Materials medium-contact	Rg 5 nickelled, 1.4310, CW614N nickelled, NBR, hard ferrite
Non-medium-contact materials	PA, PVC
Weight	see table "Dimensions and weights"
Installation location	Standard: horizontal inwards flow; switching head not recommended underneath; other installation positions are possible; the installation position affects the switching point and range.

Ranges

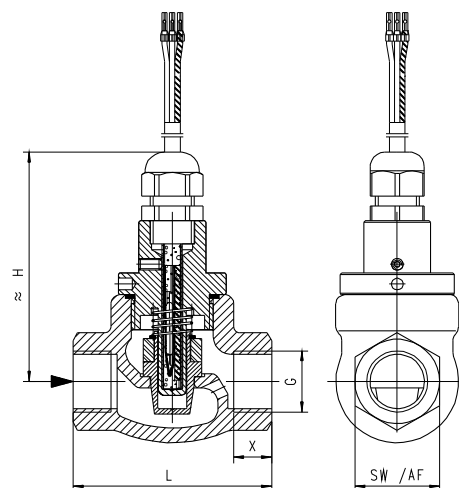
Details in the table correspond to horizontal inwards flow with decreasing flow rate.

G	DN	Switching point l/min H ₂ O Choose between	Types	Q _{max.} recommended
G 1/4	DN 8	0.4 - 9	FF-008GR009	10
G 3/8	DN 10	0.4 - 10	FF-010GR010	15
G 1/2	DN 15	0.4 - 12	FF-015GR012	20
G 3/4	DN 20	0.6 - 25	FF-020GR025	40
G 1	DN 25	1.5 - 40	FF-025GR040	60
G 1 1/4	DN 32	2.0 - 60	FF-032GR060	100
G 1 1/2	DN 40	3.0 - 90	FF-040GR090	150

Special ranges are available

Dimensions and weights

G	Types	H	L	SW	X	Weight kg
G 1/4	FF-008GR...	68	79	29	12	0.6
G 3/8	FF-010GR...				13	
G 1/2	FF-015GR...					
G 3/4	FF-020GR...	73	90	32	11	0.7
G 1	FF-025GR...	87		41	14	1.0
G 1 1/4	FF-032GR...	98		52	14	1.5
G 1 1/2	FF-040GR...	113		59		2.0



Product Information

Handling and operation

- Include straight calming section of 5 x DN in inlet and outlet
- If the media are dirty, install a filter (use magnetic filter for ferritic components).
- It must be ensured that the values given for voltage, current, and power are not exceeded.
- When switched on, a load must be connected in series. The electrical details apply to ohmic loads. Capacitive, inductive and lamp loads must be operated using a protective circuit.

Ordering code

FF - 1. 2. 3. 4. 5.
 FF - **G** **R**

○=Option

1. Nominal width	
008	DN 8 - G 1/4
010	DN 10 - G 3/8
015	DN 15 - G 1/2
020	DN 20 - G 3/4
025	DN 25 - G 1
032	DN 32 - G 1 1/4
040	DN 40 - G 1 1/2
2. Process connection	
G	female thread
3. Connection material	
R	red bronze
4. Switching point H₂O can be set as desired between	
009	0.4 - 9 l/min
010	0.4 - 10 l/min
012	0.4 - 12 l/min
025	0.6 - 25 l/min
040	1.5 - 40 l/min
060	2.0 - 60 l/min
090	3.0 - 90 l/min
5. Wiring	
S	'normally open', no. 0.212
O	○ 'normally closed', no. 0.214 (please enquire about range)

Options

- Adjustment for oil or gas
- Special values

Ordering information

- Specify direction of flow, medium, and switching point.
- For oils, state viscosity, temperature and designation (e.g. ISO VG 68) (enquire about range).
- For gases, state pressure (relative or absolute), temperature and medium (e.g. air) (enquire about range).