

Flow - filtration



Characteristics

System	Filter
Pore size	5..600 µm
Nominal widths	DN 4 - 80
Media	Water Oil Gas
Pressure resistance	Max. 16 bar
Temperature	-20..+110 °C

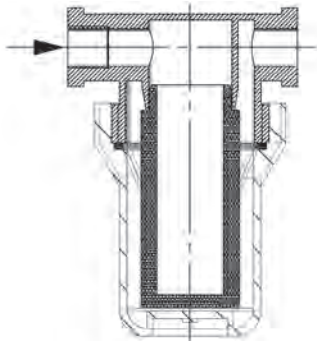
Applications

- Lubrication and cooling circuits
- Heating technology
- Protection for flow switches or flow meters

Function and benefits

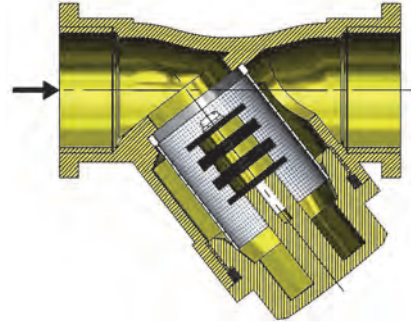
The Honsberg filters are offered for the protection of the devices from dirt or as independent components for coarse and fine filtration of liquids.

The fine filter [ZE] has filter cartridges with a fineness range starting from 5 µm made of sintered plastic or stainless steel and are capable for use in fine filtration areas.



A standard dirt trap will only be able to fulfil part of its protective function when ferritic abrasion is present in the medium, where the grain sizes are considerably smaller than the pore size of the dirt trap and will thus be rinsed through the dirt trap sieve. For this situation, Honsberg magnetic filters [ZV] offer an additional level of



protection with the arrangement of a magnetic wand in the centre of the dirt trap screen. This wand is provided with a pair of shielded magnets and separates the ferritic foreign matter.



The individual magnet pairs are poled and shielded against one another by soft iron discs, so that an optimal magnetic field is created in the area of the sieve and a higher degree of efficiency is assured as a result.

The connection of the magnetic wand to the cover of the dirt traps makes the cleaning of the magnetic wand in the course of maintenance tasks problem-free.

Device overview

Device	System	Pore size	Nominal widths	Pressure resistance in bar	Medium temperature	Medium	Page
ZE 	Fine filter	5..300 µm	DN 4 - 20	PN 10	0..52 °C	Water, oil, gas	3
ZV 	Magnetic filter	250..600 µm	DN 15..80	PN 16	-20..+110 °C	Water, oil	4

Errors and technical modifications reserved.

Product Information

Fine Filters ZE



- Filter 5..300 µm
- Simple to clean
- Transparent or opaque cover

Characteristics

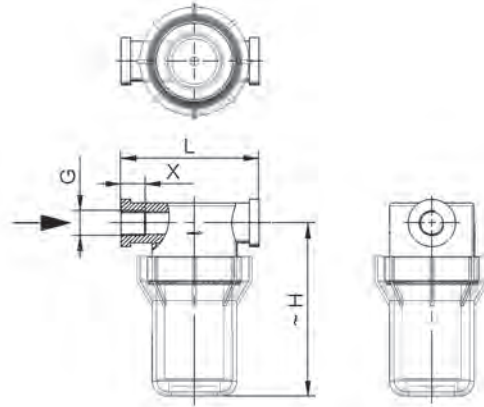
The fine filters are fitted with various filter elements. These are used for the scrubbing of liquids and gases.

Technical data

Nominal width	DN 4..20	
Process connection	female thread G 1/8..G 3/4 (note: for plastic parts it is not possible to guarantee trueness of calibration)	
Pore size	5..300 µm	
Pressure resistance	10 bar at 24 °C 7 bar at 52 °C	
Media temperature	0..+52 °C	
Ambient temperature	0..+52 °C	
Materials medium-contact	Housing	PP
	Cover	PP or clear nylon
	Filter	UHMV-PE sintered plastic or stainless steel
	Seal	NBR or FKM
Medium	water, oil, gas	
Weight	see table "Dimensions and weights"	
Installation location	the filter cartridges below should be used	

Dimensions and weights

G	Type	H	L	D	X	Weight kg
G 1/8	ZEK-004	50	77	48.5	19	0.050
	ZEL-004	84				0.075
G 1/4	ZEK-008	50	77	48.5	19	0.050
	ZEL-008	84				0.070
G 3/8	ZEK-010	54	91	75.0	20	0.065
	ZEL-010	88				0.085
	ZEG-010	114				0.175
G 1/2	ZEK-015	54	91	75.0	20	0.060
	ZEL-015	88				0.080
	ZEG-015	114				0.170
G 3/4	ZEG-020	119				0.190



Ordering code

1. 2. 3. 4. 5. 6. 7.
 ZE - **G** **P**

1. Types		
K	short filter Ø18	
L	long filter Ø18	
G	large filter Ø28	
2. nominal width		
004	DN 4 - G 1/8	● ●
008	DN 8 - G 1/4	● ●
010	DN 10 - G 3/8	● ● ●
015	DN 15 - G 1/2	● ● ●
020	DN 20 - G 3/4	●
3. Process connection		
G	female thread	
4. Housing		
P	PP	
5. Cover		
P	PP	
N	clear nylon	
6. Filter		
005	5 µm	sintered plastic
035	35 µm	
080	80 µm	
050	50 µm	stainless steel
100	100 µm	
300	300 µm	
7. Seal		
N	NBR	
V	FKM	

Product Information

Magnetic Filter ZV-...GR



- Combination of magnetic separator and filter
- Simple to clean

Characteristics

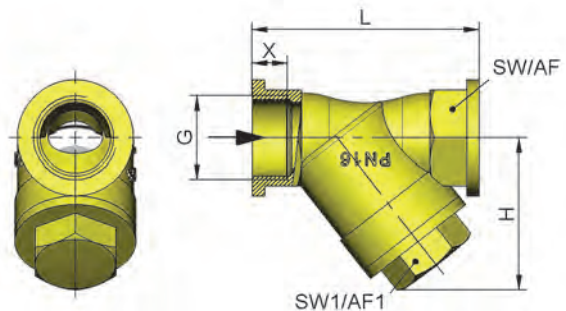
Coarse dirt and floating particles, such as welding spatter, hemp particles, or other residues are trapped by the filter, and ferritic particles are retained by an integrated magnetic separator.

Technical data

Nominal width	DN 15..80
Process connection	female thread Rp 1/2" ..Rp 3"
Pore size	600 µm, optionally 250 µm
Pressure resistance	see table "Dimensions and weights"
Media temperature	-20..+150 °C
Ambient temperature	-20..+150 °C
Q_{max.}	Rp 1/2" - 2.3 m³/h Rp 3/4" - 2.7 m³/h Rp 1" - 4.4 m³/h Rp 1 1/4" - 5.1 m³/h Rp 1 1/2" - 7.0 m³/h Rp 2" - 11.9 m³/h Rp 2 1/2" - 18.4 m³/h Rp 3" - 30.0 m³/h
Materials medium-contact	Rg 5 / 6, CW614N, St37 WEMA-KOR coated, hard ferrite, 1.4401, It400
Medium	water, oil
Weight	see table "Dimensions and weights"
Installation location	screw connection should be underneath

Dimensions and weights

G	DN	PN bar	H	L	SW	S W1	X	Magnets	Weight kg
Rp 1/2"	015	25	42	66	25	22	11	2	0.30
Rp 3/4"	020	25	50	77	31	27	14	3	0.40
Rp 1"	025	25	62	90	38	32			0.65
Rp 1 1/4"	032	25	78	112	47	41	16		1.05
Rp 1 1/2"	040	25	82	120	54	46			1.40
Rp 2"	050	25	95	150	66	56	20	4	2.20
Rp 2 1/2"	065	16	125	220	85	70	22	5	3.80
Rp 3"	080	16	140	250	100	75	25	4	5.80



Ordering code

ZV - 1. 2. 3.
 G R

1. Nominal width

015	DN 15 - Rp 1/2"
020	DN 20 - Rp 3/4"
025	DN 25 - Rp 1"
032	DN 32 - Rp 1 1/4"
040	DN 40 - Rp 1 1/2"
050	DN 50 - Rp 2"
065	DN 65 - Rp 2 1/2"
080	DN 80 - Rp 3"

2. Process connection

G	female thread
---	---------------

3. Connection material

R	red bronze
---	------------