

Flow switch Indumat VI-...GR



- For media with ferritic components
- Highly reproducible
- Precise, stepless adjustment of the switching value
- Insensitive to dirt

Characteristics

Mechanical flow switch, for fluid or gaseous media, with no-contact triggering of an adjustable proximity switch. Robust construction with the materials gunmetal / POM.

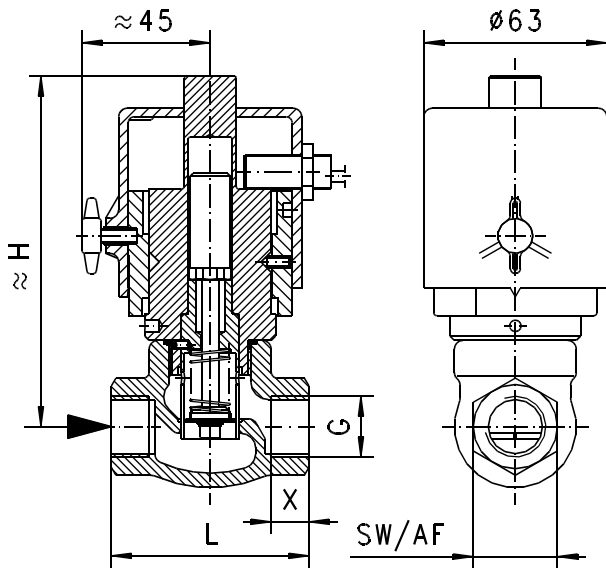
Technical data

Switch	Inductive proximity switch.	
Nominal width	DN 8..80	
Process connection	Female thread G ³ / ₄ – G3	
Adjustment range	1 – 600 l/m / H ₂ O	For details see table "Ranges"
Q_{max.}	up to 720 l/min	
Tolerance	±5 % of full scale value	
From the full scale value pressure resistance	PN 16 bar	
Medium temperature	-20 – +60 °C	
Ambient temperature	-20 – +70 °C	
Media	Water, oils (air and gas on request)	
Voltage range	10 – 30 V DC	
Current requirement	< 10 mA	
Max. load current	100 mA	
Voltage drop	< 3 V	
Cable	2 m	
Ingress protection	IP 67	
Materials medium-contact	Rg5/Rg6 nickelled, POM, 1.4305, CW614N 1.4310	
Non-medium-contact materials	ABS, NBR	
Weight	see table "Dimensions and weights"	
Installation location	Switching head facing downward must be avoided. The installation position can affect the adjustment range!	

Product Information

Sensors and Instrumentation

Dimensions and weights



Types	H mm	L mm	SW mm	X mm	Weight kg
VI-008GR010.	121	68	29	12	1.0
VI-010GR010.				13	
VI-015GR010.				13	
VI-020GR010.	122	73	32	11	1.1
VI-025GR010.		87	41	12	1.3
VI-032GR010.	133	98	52	13	2.1
VI-040GR010.	134	113	59	14	2.8
VI-050GR010.	142	137	72	17	4.0
VI-065GR010.	172	160	85	26	5.5
VI-080GR010.		148	100	23	7.0

Handling and programming

Adjustment

To adjust the switching point, the fixing screw on the switching head must be loosened. The switching head can then be rotated. Turning to the right increases the switching point, and vice-versa. Then retighten the fixing screw.



Ordering code

VI- 1. 2. 3. 4. 5.

○=Option

1. Nominal width	
008	DN 8 - G ¹ / ₄
010	DN 10 - G ³ / ₈
015	DN 15 - G ¹ / ₂
020	DN 20 - G ³ / ₄
025	DN 25 - G1
032	DN 32 - G ¹ / ₄
040	DN 40 - G ¹ / ₂
050	DN 50 - G2
065	DN 65 - G ² / ₂
080	DN 80 - G3
2. Process connection	
G	Female thread
3. Housing material	
R	Rg5 / Rg6
4. Adjustment range for horizontal inwards flow	
010	1 - 10
020	4 - 20
040	10 - 40
060	20 - 60
100	30 - 100
150	50 - 150
200	50 - 200
330	180 - 330
600	300 - 600
5. Switching output	
P	PNP
N	NPN

Option

- Housing in stainless steel design

Ordering information

- Specify low direction, material and adjustment range.
- For viscous media, state viscosity, temperature and medium (e.g. ISO VG 68) (enquire about metering range).
- For gases, specify pressure (relative or absolute), temperature and medium (e.g. air) (enquire about range).