

Product Information

Level Switch NR



- Mounted in the cover
- Adjustable switching points in 10 mm grid
- Up to four contacts

Characteristics

Mechanical level monitor for fluid media, with contact-free triggering of a reed contact.

Technical data

| | | |
|-------------------------------------|--|--|
| Switch | reed switch | |
| Process connection | flange Ø120 or male thread G 2 A | |
| Density of medium | ≥ 0.66 g/cm ³ | |
| Overall length | 250..1000 mm, for details see "Dimensions and weights" | |
| Pressure resistance | PN 5 bar | |
| Medium temperature | -5..+100 °C | |
| Ambient temperature | -5..+70 °C | |
| Media | water, oils | |
| Wiring | 'normally open' / 'normally closed' or changeover | The switching units are to be ordered separately, see "Switching contact NR-000" |
| Switching voltage | max. 250 V AC | |
| Switching current | max. 1 A | |
| Switching capacity | max. 250 VA | |
| Protection class | 2 - safety insulation | |
| Ingress protection | IP 65 | |
| Electrical connection | cable screw gland Pg 13.5 | |
| Materials medium-contact | flanged type | CW508L, GD-AISI12, 1.4571 |
| | threaded type | 1.4571 |
| Non-medium-contact materials | GD-AISI 12, NBR, PA | |
| Weight | see table "Dimensions and weights" | |
| Installation location | vertical installation position | |

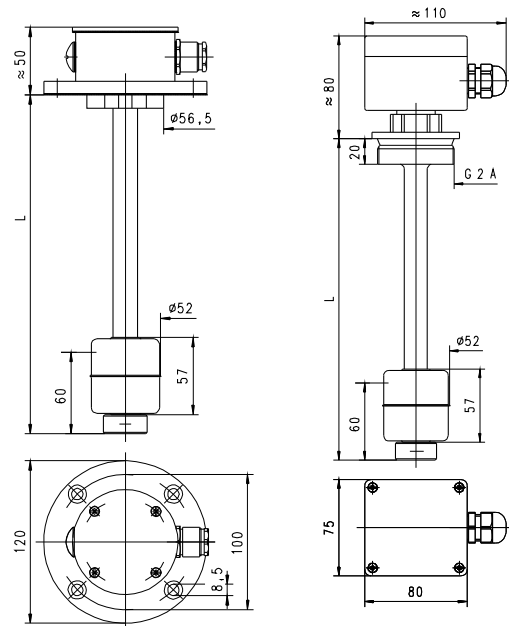
Dimensions and weights

Flanged type

| Types | L | Maximum number of switching contacts to be ordered separately | Weight kg |
|--------------|------|---|-----------|
| | | 'normally open' / 'normally closed' NR-000 | |
| NR-120EA0250 | 250 | 2 | 1.0 |
| NR-120EA0500 | 500 | 3 | 1.1 |
| NR-120EA0750 | 750 | 4 | 1.3 |
| NR-120EA1000 | 1000 | | 1.4 |

Threaded type

| Types | L | Maximum number of switching contacts to be ordered separately | Weight kg |
|--------------|------|---|-----------|
| | | 'normally open' / 'normally closed' NR-000 | |
| NR-050HK0250 | 250 | 2 | 1.3 |
| NR-050HK0500 | 500 | 3 | 1.4 |
| NR-050HK0750 | 750 | 4 | 1.6 |
| NR-050HK1000 | 1000 | | 1.7 |



Details of float location 60 mm for density 1 g/cm³.
The device is delivered without a seal.

Handling and Operation

Note

- It must be ensured that the values given for voltage, current, and power are not exceeded.
- When switched on, a load must be connected in series.
- The electrical details apply to ohmic loads. Capacitive, inductive and lamp loads must be operated using a protective circuit.
- Not suitable for use in media with ferritic particles.

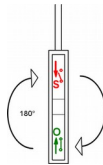
Product Information

Commissioning

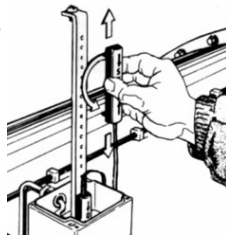
- Number of possible switching contacts:

| Length Level monitor | 'normally open' / 'normally closed' | optionally transformer |
|-------------------------|--|---------------------------|
| 250 | 2 | 2 |
| 500 | 3 | 3 |
| 750 | 4 | |
| 1000 | | |

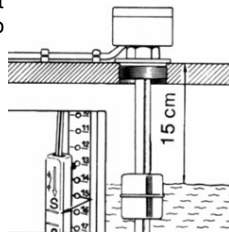
- The switching contacts must be activated before commissioning. By turning the switching module through 180°, the switching function is changed from 'normally open' to 'normally closed'. Minimum contact separation 80 mm.



- Release and pull out the perforated strip. The switching contacts can be fitted at a resolution of 10 mm.



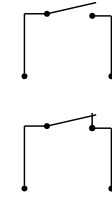
- The switching points can be set exactly using the marking applied to the perforated strip.



Switching Contact NR-000



Technical data

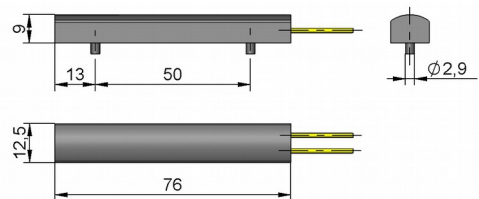
| | |
|-------------------------------------|---|
| Switch | reed switch |
| Operating temperature | -5..+100 °C |
| Wiring | 'normally open' / 'normally closed' No. 0.449  |
| Switching voltage | max. 250 V |
| Switching current | max. 1,0 A |
| Switching capacity | max. 250 VA |
| Protection class | 2 - safety insulation |
| Ingress protection | IP 65 |
| Connection | wiring 2.1 m |
| Non-medium-contact materials | PA, PVC |
| Weight | 0.04 kg |

Ordering code

NR - 1. 2.

| 1. Connection size / material | |
|-------------------------------|-----------------------------------|
| 120EA | flange Ø120 aluminium |
| 050HK | male thread G 2 A stainless steel |
| 2. Length | |
| 0250 | 250 mm |
| 0500 | 500 mm |
| 0750 | 750 mm |
| 1000 | 1000 mm |

Dimensions



Ordering code

Please order switching contact(s) separately from devices NR-050HK... and NR-120EA...

NR - 1.

○=Option

| 1. Connection function | |
|------------------------|-------------------------------------|
| 000 | 'normally open' / 'normally closed' |