

Product information

Load Cell Series KR



- Measuring ranges from 50 kg up to 30 t
- Operating temperature -15..+75 °C
- Accuracy 0.2 %
- Protection class IP65

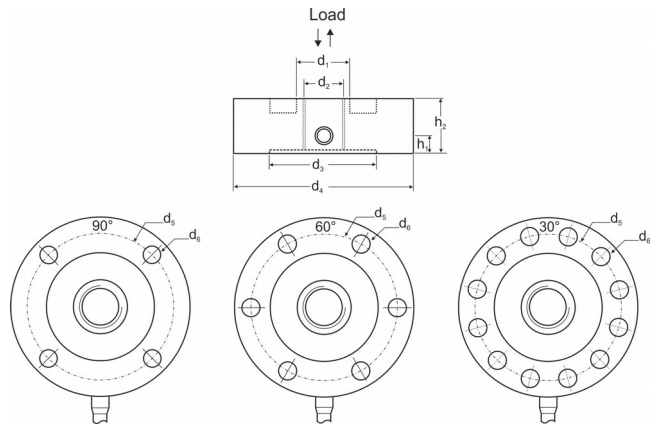
Characteristics

The cell is specified for industry applications like tanks, silos, and weighing bridges for force and traction loads up to 30 t.

Technical data

- Power supply**
 Bridge supply : max. 20 V DC,
 10 V DC recommended
- Max. operating temperature : -20..70 °C
 Bridge sensitivity : 350 Ohm
 Output signal : 2 mV/V,
 exact sensitivity on the type plate
- Insulation resistance : > 5000 MOhm
 Accuracy : 0.2 %
 Repeatability : <0.07 %
 Zero unbalanced : ± 2 %
 Max. overload : ± 150 %
 Breaking load : 300%
 Connection cable : 2 m 6-pole shielded, AWG26
 Protection class : IP67

Dimensions



Design 01

Design 02/03

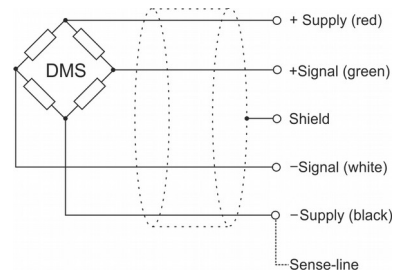
Design 04

Dimension table [mm]

| Design | ød1 | ød2 | ød3 | ød4 | ød5 | d6 | h1 | h2 | N |
|--------|-----|---------|-----|-----|-----|------|-----|----|----|
| 01 | 10 | M 6 | 60 | 78 | 69 | 4.5 | 9.5 | 27 | 4 |
| 02 | 20 | M12x1 | 70 | 99 | 85 | 6.5 | 9.5 | 27 | 6 |
| 03 | 30 | M20x1.5 | 80 | 118 | 98 | 8.5 | 9.5 | 35 | 6 |
| 04 | 72 | M56x4 | 122 | 177 | 149 | 16.5 | 13 | 55 | 12 |

N=number of mounting holes

Connection diagram



The sense line is used to compensate line resistance from load cell to DMS transmitter. For distances more than 5 m it is recommended to use the sense line.

Ordering code

KR - - -

| | |
|-------------------------------------|----------------------------------|
| 1. Design (see dimensions) | |
| 01 | nominal load 50 / 100 / 200 kg |
| 02 | nominal load 200 / 500 / 1000 kg |
| 03 | nominal load 2 / 3 t |
| 04 | nominal load 5 / 10 / 30 t |
| 2. Measuring range [kg or t] | |
| please state in clear text | |
| 3. Options | |
| 00 | without option |