

Product information

Load Cell Series KS



- Measuring ranges from 50 kg up to 100 t
- Operating temperature -15..+75 °C
- Accuracy 0.2 %
- Protection class IP65

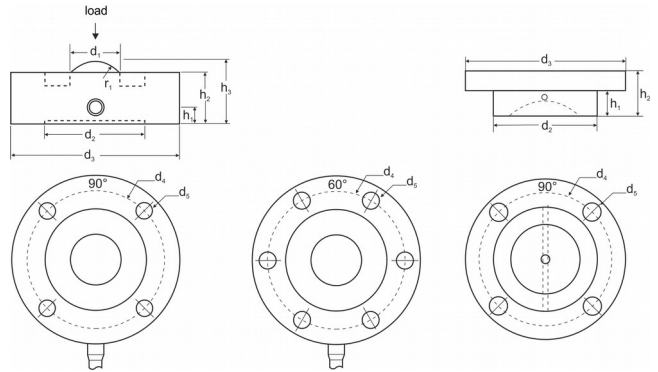
Characteristics

The cell is specified for industry applications like tanks, lorries, silos, and weighing bridges for force loads up to 100 t.

Technical data

- Power supply : max. 20 V DC,
 Bridge supply : 10 V DC recommended
- Max. operating temperature : -20..70 °C
- Bridge resistance : 350 (model 1-3)/700 Ohm (model 4)
- Output signal : 2 mV/V,
 exact sensitivity on the type plate
- Insulation resistance : > 5000 MOhm
- Accuracy : 0.2 %
- Repeatability : <0.07 %
- Zero unbalanced : ± 2 %
- Max. overload : ± 150 %
- Breaking load : 300%
- Connection cable : 2 m 6-pole shielded, AWG26
- Protection class : IP67
- Material :

Dimensions



Design 01/02/03

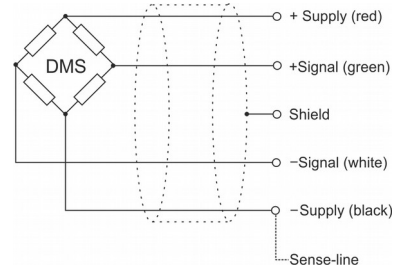
Design 04

Mounting saddle MS01..04

Dimension table [mm]

Design	ød1	ød2	ød3	ød4	ød5	h1	h2	h3	r1	N
01	10	60	78	69	4.5	9.5	27	29	7	4
02	20	70	99	85	6.5	9.5	27	31	15	6
03	30	80	118	98	8.5	9.5	35	42	20	4
04	72	122	177	149	16.5	13	55	78	40	4
Mounting saddle						N = Number of mounting holes				
MS-01	-	16	38	27	4.5	9	15	-	-	4
MS-02	-	40	78	60	8.5	15	25	-	-	4
MS-03	-	40	78	60	8.5	15	25	-	-	4
MS-04	-	110	177	149	16.5	33	50	-	-	4

Connection diagram



The sense line is used to compensate line resistance from load cell to DMS transmitter. For distances more than 5 m it is recommended to use the sense line.

Ordering code

KS - 1. - 2. - 3.

1. Design (see dimensions)	
01	nominal load 50 / 100 / 200 / 500 kg
02	nominal load 1 / 2 / 5 t
03	nominal load 5 / 10 t
04	nominal load 20 / 50 / 100 t
2. Measuring range [kg or t]	
please state in clear text	
3. Options	
00	without option

Accessories

- Mounting saddle
- MS-01 for design 01
 - MS-02 for design 02
 - MS-03 for design 03
 - MS-04 for design 04