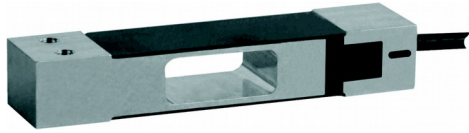


**Product Information**

**Load-Cell Series PC22**



- Standard- or Ex-devices
- Measuring range from 5..40 kg
- Operating temperature -20..+60 °C
- Accuracy 0.02 %
- Protection class IP67

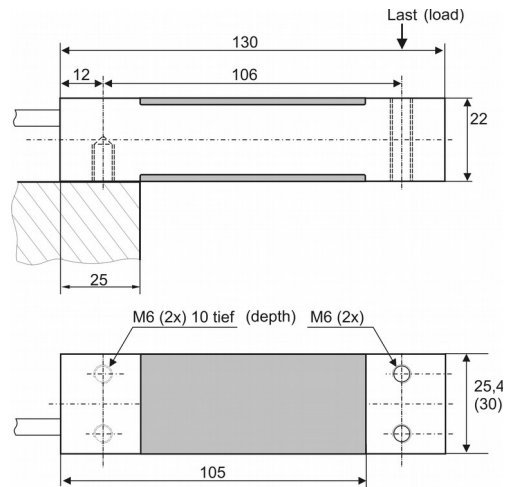
**Characteristics**

The precision cell type PC22 is a single Point load-cell of aluminum with an effective moist protection. The fields of applications lie in the section of sales and table scales. The load cell was conceived for nominal loads of 5 kg up to 40 kg

**Technical data**

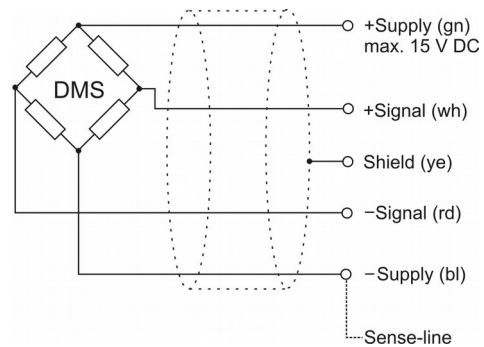
<b>Power supply</b>	
Bridge supply	: max. 15 V DC, 10 V DC recommended
Operating temperature	: -20..+60 °C max. -10..+40 °C, compensated range
Approvals	: ATEX- approval for Ex-area Zone 0, 1, 2, 20, 21 and 22 FM approval
Bridge resistance	: 400 Ω
Output signal	: 2 mV/V, exact sensitivity on the type plate
Isolation resistance	: >5000 MΩ
Accuracy	: 0.02 %
Repeatability	: <0.01 %
Zero unbalance	: <5 %
Max. over-load	: 150 %
Breaking load	: 300 %
Connection cable	: 0.5 m, 6 pole shielded, AWG26
Protection class	: IP67
<b>Case material</b>	: Aluminum
Weight	: 1 kg inclusive package

**Dimensions**



Mounting screws M6 quality 8.8; tightening torque 10 Nm.  
 Grease the screw threads before mounting!

**Connection diagram**



The sense line is used to compensate line resistance from load cell to DMS transmitter. For distances more than 5 m it is recommended to use the sense line.

**Ordering code**

PC22 -  1. -  2. -  3. -  4.

<b>1. Design</b>	
00	standard for non-Ex applications
Ex	Ex applications acc. to KEMA 02ATEX 1123X
<b>2. Frame size (see dimensions)</b>	
01	width 25.4 mm, nominal load 5 kg
02	width 30 mm, nominal load 10..40 kg
<b>3. Nominal load</b>	
05	5 kg
10	10 kg
20	20 kg
30	30 kg
40	40 kg
<b>4. Options</b>	
00	without option